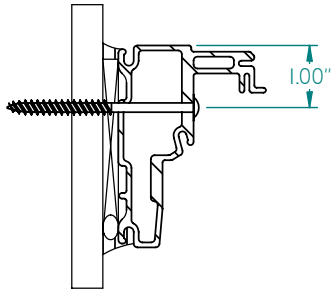
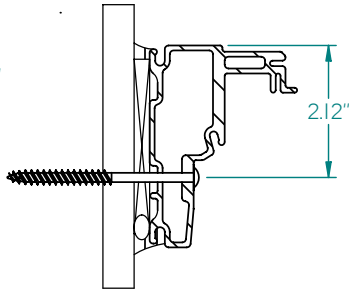


METHODS OF ANCHORAGE

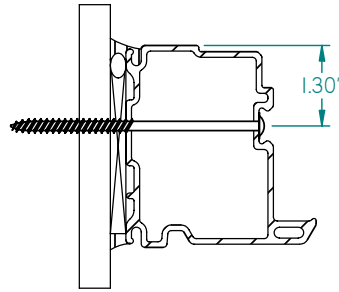
Anchor with #8 screws through frame and shim.



HEAD, SILL & JAMBS

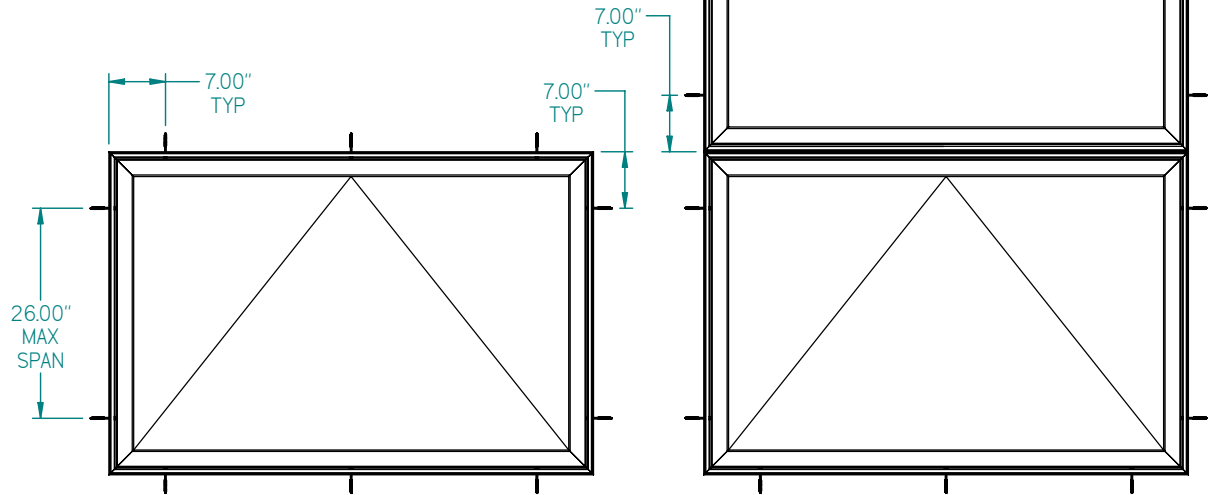


CENTER OF SILL




FIXED UNIT

RECOMMENDED ANCHOR LOCATIONS



NOTES:

1. Units must be plumb, square, shimmed, and secured to surrounding structure following local building codes.
2. Allow 1/4" space between frame and rough opening at head and both jambs.
3. Secure corner anchors approximately 7" from all corners.
4. Perimeter anchors should not exceed 26" on center.
5. Secure anchors within 7" from mullion on both sides.

NO.	DATE	BY	REVISIONS	NO.	DATE	BY	REVISIONS	PRINT APPROVAL	MATERIAL:	 COMFORT LINE LTD. 5500 ENTERPRISE BLVD. TOLEDO, OH 43612 419-729-8520	
1				7				ENGINEERING MANAGER	TYPICAL WALL = (EXCEPT AS NOTED)		THIS DRAWING IS THE PROPERTY OF COMFORT LINE LTD. DESIGN CONCEPTS AND INFORMATION MAY NOT BE REPRODUCED USED OR DISCLOSED WITHOUT THE WRITTEN PERMISSION OF COMFORT LINE LTD.
2				8					BREAK SHARP CORNERS = (EXCEPT AS NOTED)		
3				9					WT./FT =	2100 AWNING	
4				10					PERIMETER =	INSTALLATION DRAWING	
5				11					TOLERANCES (EXCEPT AS NOTED)	SCALE:	
6				12					DECIMAL ± .010	DATE: 08/12/08	
									FRACTIONAL ± 1/32"	DRAWN BY: ALH	2100-113
									ANGULAR ± 2°		